

## COPILOT ZIGGITY DRINKER

### Automatic Drinker

Drinking system for **chickens, turkeys, quails and laying hens**. The technology that ensures welfare.

#### FEATURES



- High pressure flow **Pin meter**.
- **Concave Pin** patented. Due to its perfect closing system, it **does not require** cups.
- **Self cleaning** system.
- Internal parts made of **stainless steel hardened** to prevent wear.

#### BENEFITS

- Dry litter, **no drips**.
- The high sensitivity of the pins allows **effective supply of water** to the animals from the 1st. day of life.
- **Automatic increases in flow as the animals grow**.
- Ease of **changing the water** during operation.
- Increased **durability**.
- Automatic discharge of high pressure.
- Eliminates the bacteria' biofilm.
- **Reduce expenditure** in drugs.
- Simple adjustment of the pressure.



#### DRIER LITTER

**APLICACIONES**



Turkeys



Ducks



Chicks



Breeders



Broilers



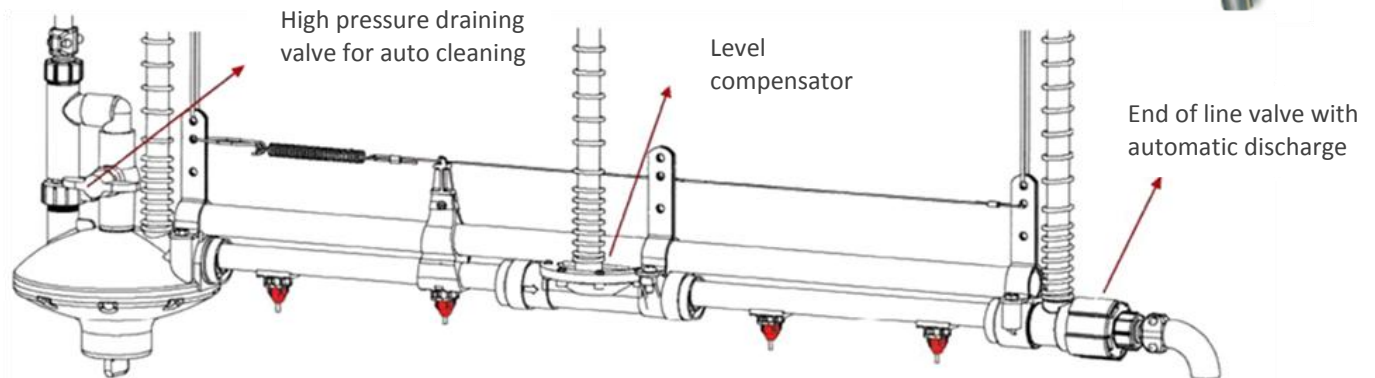
Quails

**ZIGGITY SYSTEM**

Pipe types



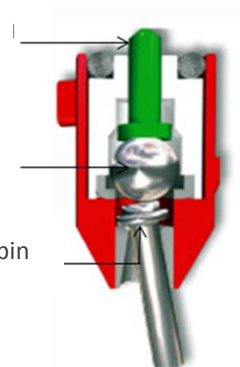
Drinker line



Pin meter of the high pressure flow

Steel ball

Concave pin



**DRIER LITTER**